



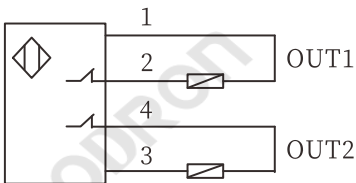
### Model

BT36-20BLA2-E1

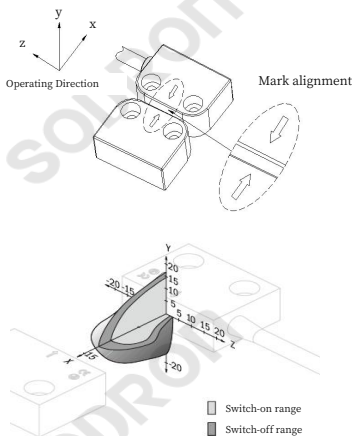
### Product Features

- Contact magnetic induction
- EN ISO 13849 (PL e,Cate.3), TUV

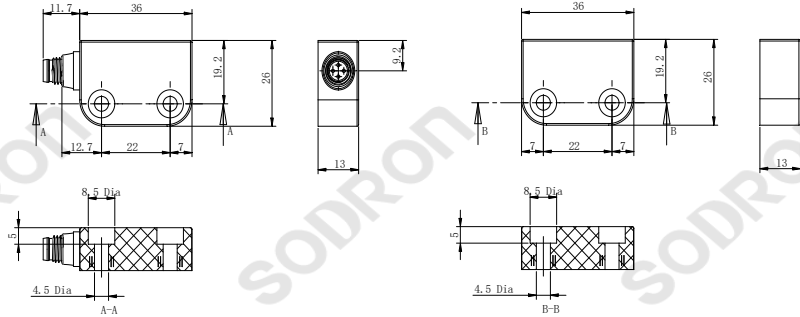
### Connection



### Mounting and Sensing Area



### Dimension



### Technical parameters

Output mode	Reed switch contact
NC Contact Qty	2 (NC)
Switch on safety distance	9mm
Switch off safety distance	20mm
Switch voltage	10-30V DC
Switch current	100mA max
Contact capacity	10W
Mechanical life	Switching operations: $2 \times 10^7$
Structure type	Structure type 3 (EN ISO 13849)
Actuator coding level	Low coding level (EN ISO 13849)

Safety state in the event of a fault: The switch is without internal detection and cannot assume a safe state in the event of a fault. Fault detection is performed by the connected post-installed safety-related logic unit.

Connection	M8-4Pin(Connector)
Ambient temperature	Work&Storage:-20°C~+60°C
Ambient humidity	Work&Storage:35~95%RH
Anti-vibration	10~50Hz, double amplitude 1.5mm, 2 hours per axis for X, Y, Z
Anti-impact	30G,11ms
Insulation resistance	> 100MΩ(DC500V)
Protection degree	IEC IP67
Housing material	PPS